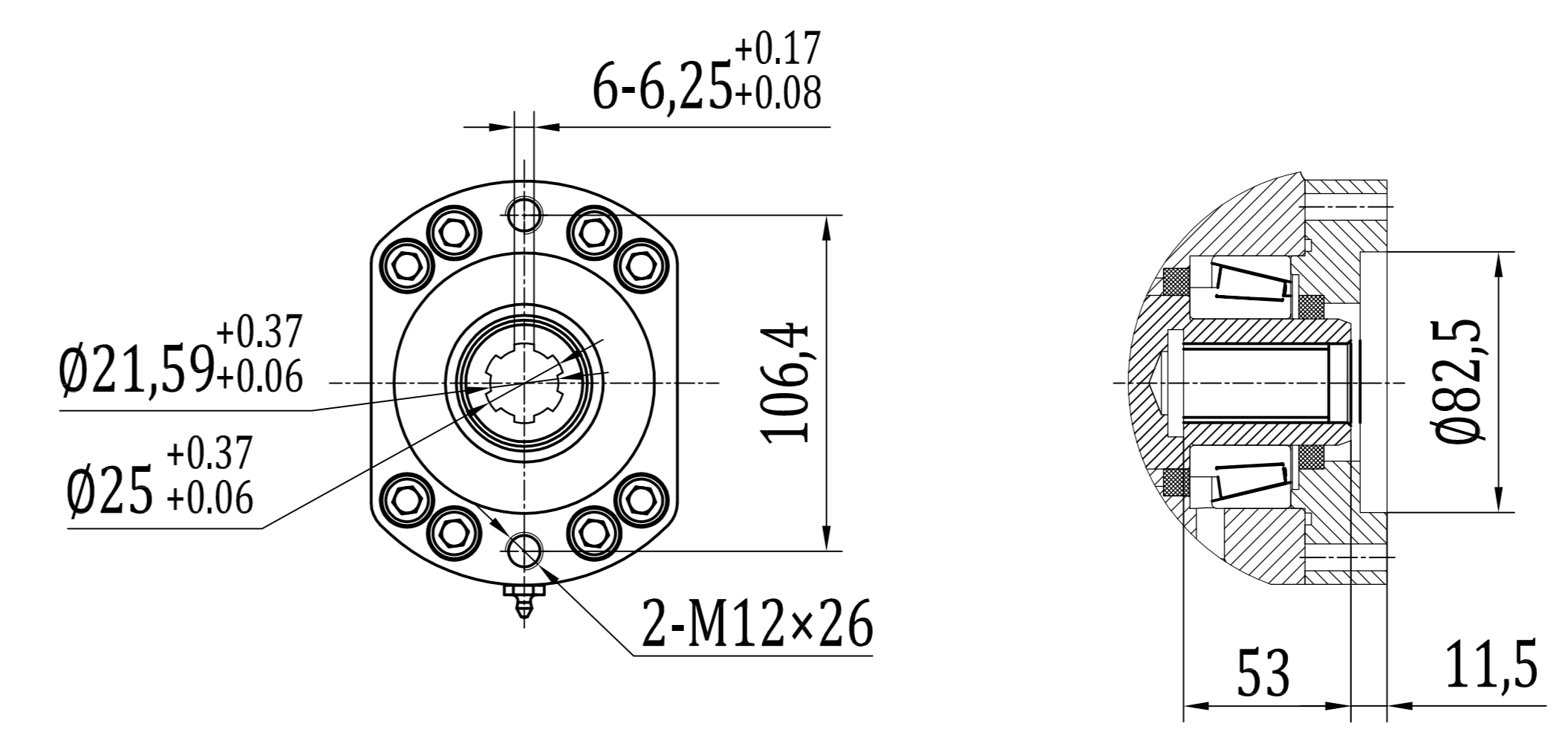
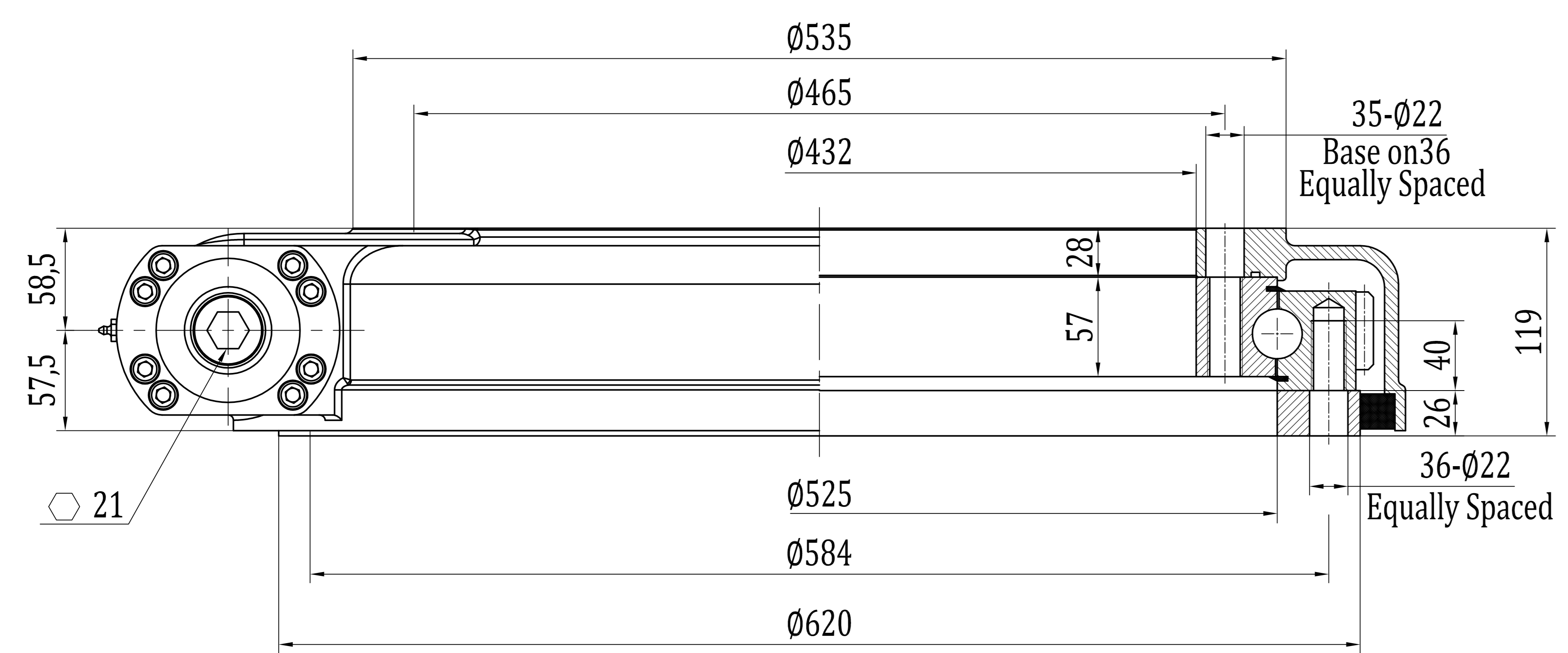
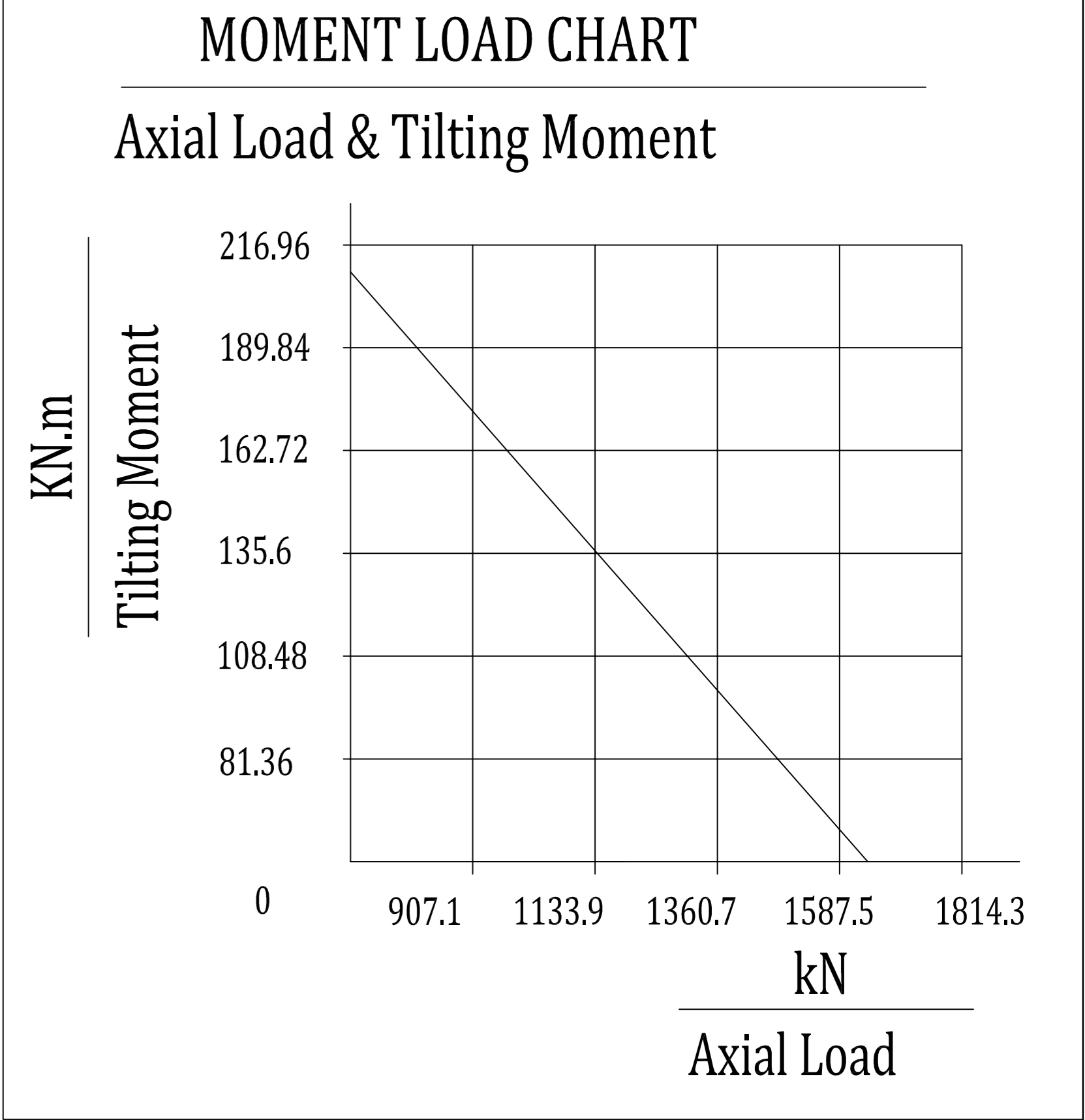



Slewing Drive Performance Parameters	
Rated Output Speed	<2.4 rpm
Output Torque (Max.)	25 kN.m
Tilting Moment (Max.)	203 kN.m
Holding Torque	105,8 kN.m
Static Axial Rating	1598 kN
Static Radial Rating	640 kN
Dynamic Axial Rating	385 kN
Dynamic Radial Rating	335 kN
Gear Ratio	125 : 1
Efficiency	40 %
Precision	≤ 0.15 °



REV	DATE	REVISER	REVISER
DESIGNED BY	2019/11/25	Li Ming	
CHECKED BY	2019/11/25	Rui Wang	
APPROVED BY	2019/11/25	Shane Zhang	

ALL PROPRIETARY RIGHTS IN THE SUBJECT MATTER HERE OF ARE RESERVED, AND NO PERMISSION IS GRANTED OR TO DISCLOSE REPRODUCE THIS PRINT IN WHOLE OR IN PART, ANY OF THE INFORMATION TO OTHERS.



**www.coresundrive.com**  
Coresun Drive Equipment Changzhou Co., Ltd.

**Slewing Drive**

SC21-125-BRH

WEIGHT	SCALE	REV	
120 kg	1 : 4		
SIZE	A3		
SYMBOLS ISO	SHEET	1 / 1	A